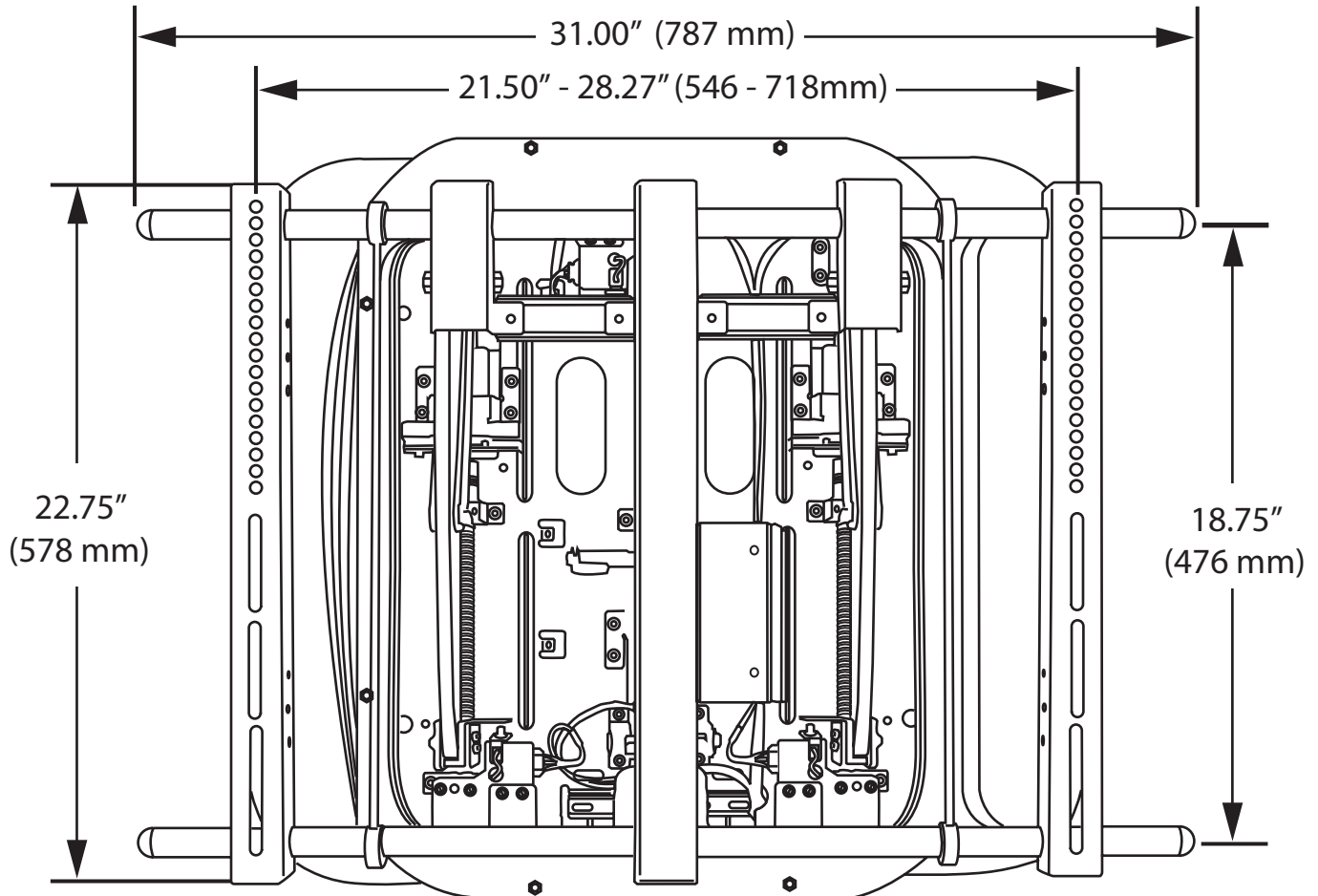


X-arm Motorized Mount

- Fits most flat panel displays 40" - 63" (102 - 160 cm) *
- * Display must weigh less than 180 lbs. (81 kg) and have an outside width < 61"
- Product Weight: 65 lbs.



Features

- Telescopic to 12"
- Sits flush against the wall (4.6")
- Tilts 7 degrees up / 20 degrees down
- Swivels 56 degrees, right to left (42" screen)
- IR Remote Control or RS232 Interface
- Hidden Cable Management
- UL and TUV Listed

For more information:

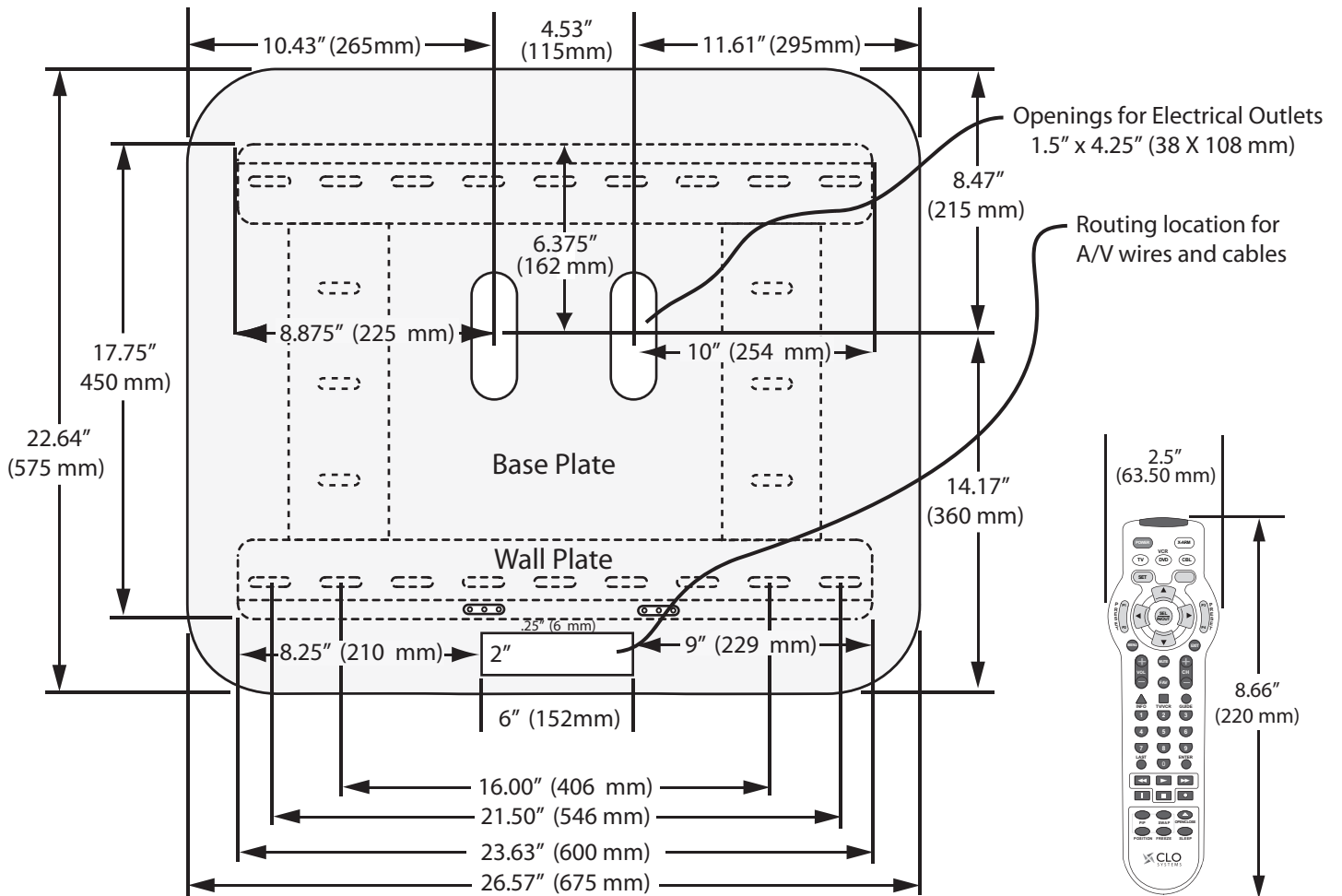
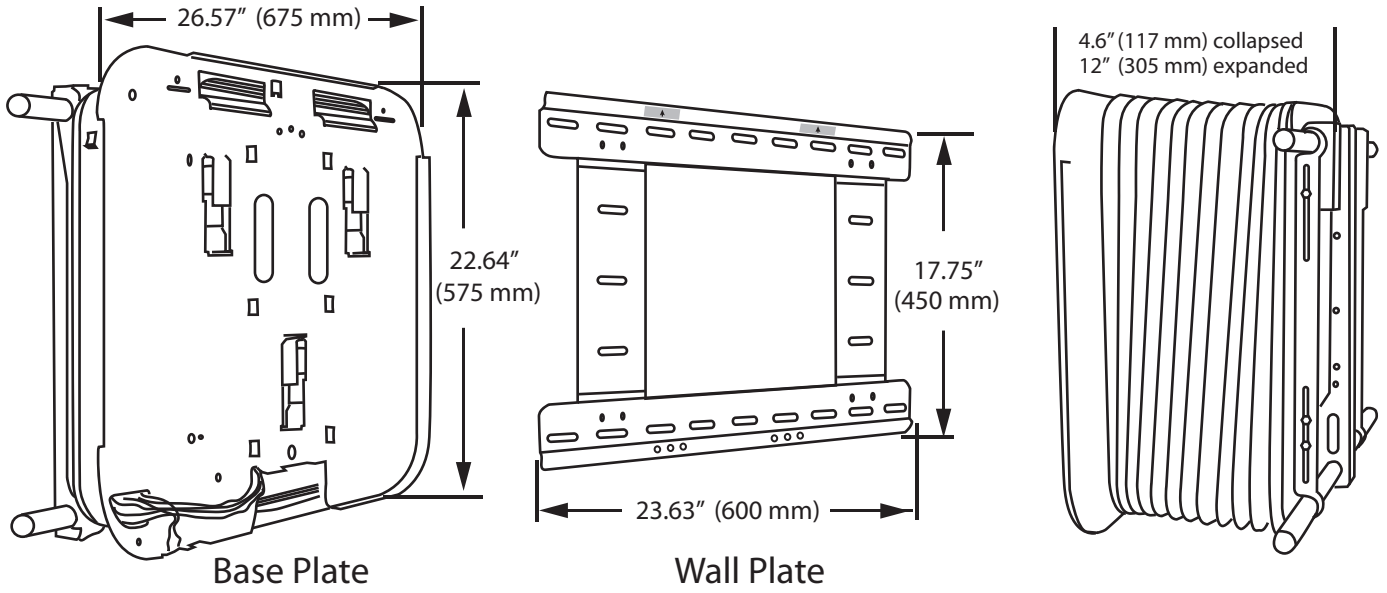
CLO Systems
1501 West Cameron Ave., Suite 215
West Covina, CA 91790

tel: 626-939-4226
fax: 626-939-3378

www.closystems.com



Copyright 2007 CLO Systems, LLC



Base Plate & Wall Plate (looking through X-arm from TV side)

Remote Control